

Technical Data Sheet

PPS_MFS-Lw Advanced Voltage Stabilizer 110-285V 50/60Hz

The MFS is an advanced voltage stabilizer system designed for OEM installation.

It has been designed for applications such as

- Glass Door Coolers
- Subzero Beer coolers
- Freezers
- Double Door Coolers
- Vaccine Coolers/freezers
- Cake Coolers
- Vending Machines
- Post Mix Applications
- HVAC Applications



Its advanced design and control features are managed by the advanced microcontroller technology and patented algorithms

Features

- Voltage stabilizer
- Voltage, Frequency, and Current supervisor
- Intelligent ambient temperature protection
- Intelligent Time delay 4'30" + 0" to 30" random
- Surge protection
- Reconnecting Voltage Hysteresis
- Zero crossing
- Zero Current Changeover
- Soft start

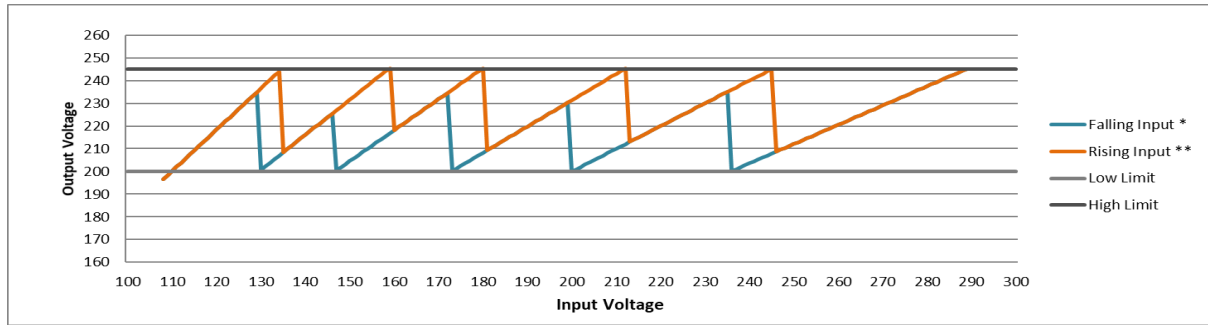
Specifications

PPS MFS-Lw Series:				PPS MFS-1Lw					PPS MFS-2Lw	
PPS MFS-xxxLw Series (xxx: 070, 085, 100, 150, 200)				040	060	070	085	100	150	220
Power Supply	Nominal Voltage			220 - 240 VAC						
	Operation Voltage Bandwidth (@ 25°C)			60 - 415 VAC						
	Ambient Temperature	Humidity		-5 to +45 °C			5 - 95 %RH, non-condensing			
Input	Voltage	Low	High	110 VAC ± 3% with hysteresis			285 VAC ± 2% with hysteresis			
	Frequency Lower / Upper	50Hz	60Hz	45 / 55 Hz ± 0.2Hz			55 / 65 Hz ± 0.2Hz			
Output	Voltage range			200 - 245 VAC ± 2%						
	Max. Current (A)							4.3		
	Continuous Operation (45°C) Current (A) @ Low Voltage							3.2		
Start-Up Time, Time Delay				- 5 minutes (4'30" + 0" to 30" random) - Zero on Production Line for first 30 minutes continuous operation of life cycle						
Thermal protection				- Temperature limits +80 °C - Temperature rise 15°C / 15 minutes						
Plastic Housing				UL94 V-0 Flame Retardant						
IP Class				IP44						
Lifetime				Relay lifetime cycles 350,000						
Connections				6.3mm x 0.8mm flat, terminal						
Cable Harness - Lengths				250mm / 550mm / 1000mm versions						
Insulation Class, Transformer Windings				H (180°C)						
Dimension (mm)	ECU			114 x 98 x 31						
	Trafo	Standard installation Vertical installation						130x95x110 110x140x90		
Total weight (Kg)								4.3		

Approvals

Approvals				
CE	LVD European Directive 2014/35/EU	EMC European Directive 2014/30/EU		
	<ul style="list-style-type: none"> EN 61558-1 EN 61558-2-13 	<ul style="list-style-type: none"> EN 61000-6-1 EN 61000-6-2 	<ul style="list-style-type: none"> EN 61000-6-3 EN 61000-6-4 	<ul style="list-style-type: none"> EN 62041
	<ul style="list-style-type: none"> PQS/E07/VS01-VP.5 			

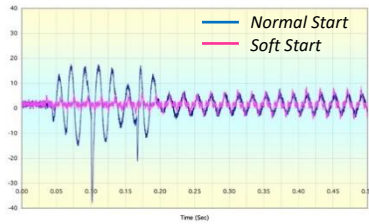
Input/vs Output Graph 110V-285V



*Falling input: Output Voltage graph, when the input voltage goes down

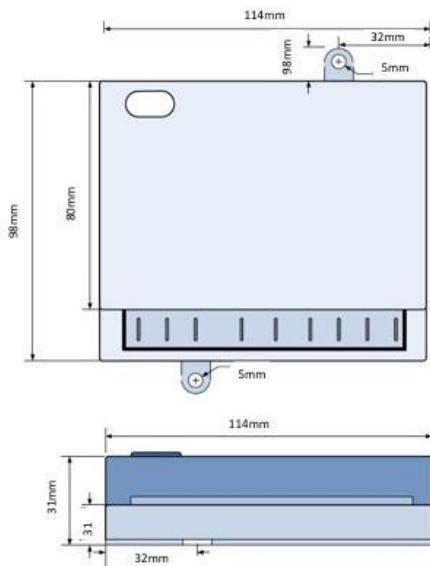
**Rising input: Output Voltage graph, when the input voltage goes up

Soft Start

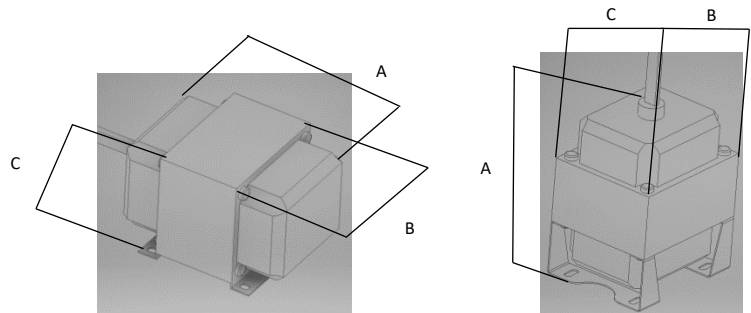


Soft start reduces the mechanical stress on the motors and their components and electrical stresses on winding and cables, thus extending the system's lifespan.

Dimensions and Weights



Transformer Dimensions (mm)							
Standard Installation							
	MFLW 40	MFLW 60	MFLW 70	MFLW 85	MFLW 100	MFLW 150	MFLW 200
A					130		
B					110		
C					95		
Vertical Installation							
A					140		
B					110		
C					90		



Standard Installation

Vertical Installation